

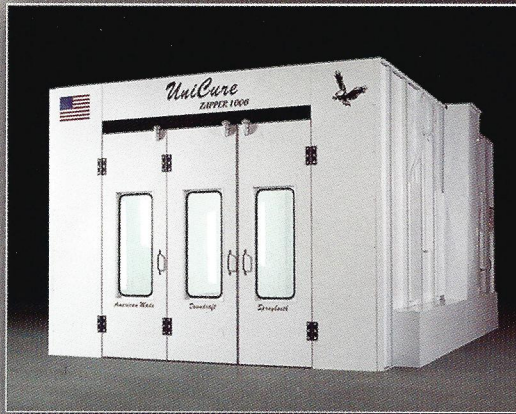
UniCure

SPRAYBOOTHS

ZAPPER

DOWNDRAFT SPRAYBOOTH

- **Solid Build**
- **Excellent Air Flow**
- **Superior Lighting**
- **Easy & Economical to Operate**
- **Powder Coated White**



Model 1006
Downdraft Side Exhaust



Model 1006
Downdraft Side Exhaust

This UniCure Downdraft Comes Complete

- All Necessary Fasteners and Sealing Materials
- 14 - 4 Tube Fluorescent Light Fixtures
- Tri-Fold Product Doors with Windows
- 1 Personnel Door with Window and Hardware
- 2 - 24" Exhaust Fans with Motors
- 2 Extra Sections of Exhaust Duct
- 2 Exhaust Duct with Clean-Out
- 2 Automatic Exhaust Air Ventilators
- All Necessary Filters



Model 1007
Downdraft Pit Model



Model 1007
Downdraft Pit Model
Single Row Shown
Three Row Optional



ETL Approved Models Available!

UniCure
Spraybooths

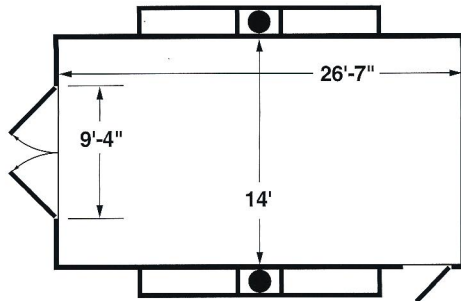
INTERSTATE MARKETING CORPORATION
104 SPENCE LANE, NASHVILLE, TN 37210

Your Collision and Repair Equipment Headquarters

Call Toll Free: 1-800-868-3033 • TN (615) 889-3330
email: unicure@spraybooths.com • www.spraybooths.com

UniCure

1006



Downdraft
Side Exhaust

Outside Dimensions

Length 27'-1"

Width 16'-6"

Height 11'-0"

Inside Dimensions

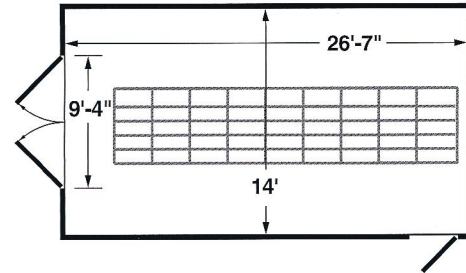
Length 26'-7"

Width 14'-0"

Height 9'-0"

UniCure

1007



Downdraft
Pit Model

Outside Dimensions

Length 27'-1"

Width 14'-6"

Height 11'-0"

Inside Dimensions

Length 26'-7"

Width 14'-0"

Height 9'-0"

Product Doors

Height 8'-10"

Width 9'-2"

- The spraybooth construction and exhaust air flow velocities are designed to meet or exceed OSHA standards.
- This booth is constructed of 18 gauge galvanized sheet steel powder coated white inside and out, with interlocking flange edges that are fastened together with self tapping speed screws. Panels have exterior flanges to provide a smooth interior surface.
- The doors are built with two inch by two inch square tube frames for heavy duty service, and have a lip air seal. One 36" X 84" personnel access door is standard. The door can be located on either side to meet user requirements.
- Booths require electrical connections to the fan and light fixtures, mechanical duct system connections for air discharge to the outside, and hardware for anchoring the booth to the floor.
- Caulking, rubber seals for doors, fasteners, and all necessary hardware for complete mechanical installation are furnished with all units.
- Specifications subject to change without notice.