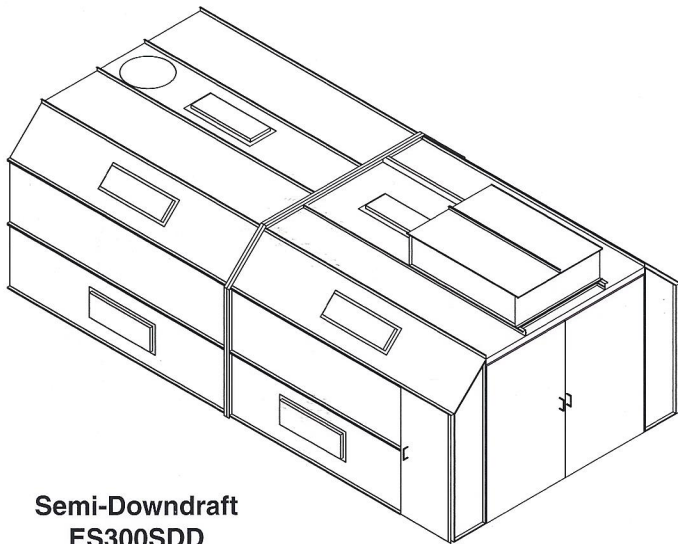


UniCure

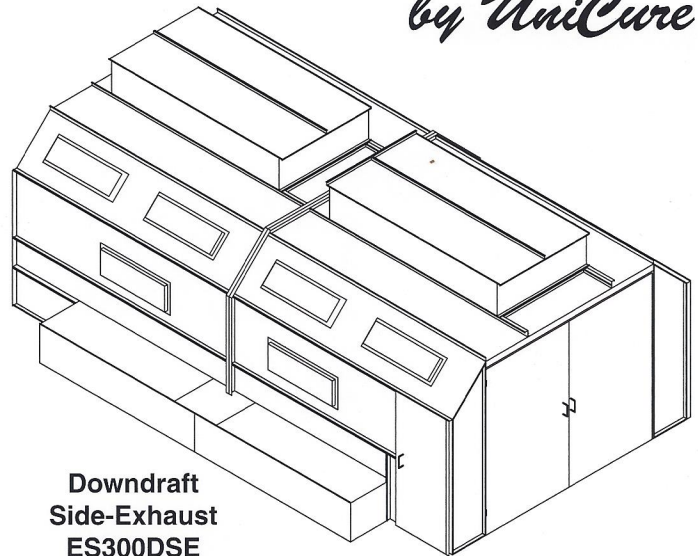
SPRAYBOOTHS

e-Spray

by UniCure



**Semi-Downdraft
ES300SDD**



**Downdraft
Side-Exhaust
ES300DSE**

Paint & Curing

This UniCure Spraybooth Comes Complete

- Heated Air Make-Up 1.2 Million BTU with Paint & Curing
- Variable Frequency Drive
- Duct Package Before & After Heater
- Galvanized Steel Construction Panels
- Detail Plans for Easy Assembly
- Toll-Free Installation HELP Line
- CD & SDD - (10) 48" 4-Tube Light Fixtures with Tubes
- DSE - (12) 48" 4-Tube Light Fixtures with Tubes
- (1) Set of Intake and Exhaust Filters

Exhaust System:

- CD & SDD - (1) 30" Tubeaxial Fan with 3PH Motor
- DSE - (2) 24" Tubeaxial Fans with 3PH Motors

Pre-Assembled Exhaust Duct Package:

- CD & SDD - (1) 30" X 9' Duct Package with Clean Out
- DSE - (2) 24" X 9' Duct Package with Clean Out

Automatic Exhaust Air Ventilators

OPTIONAL FEATURES:

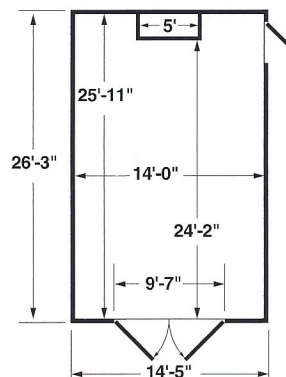
- Tri-Fold Doors
- Door Windows
- Powder Coating
- Installation

**ES300DD Downdraft Pit Model
Also Available**

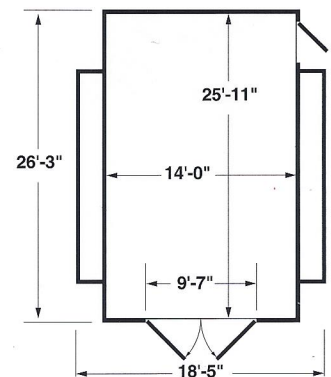


Control Panel

ES300SDD Dimensions



ES300DSE Dimensions



ES300SDD Dimensions

Height 10'-11"
Inside Height 9'-0"
Door Height 8'-8"

ES300DSE Dimensions

Height 10'-11"
Inside Height 9'-0"
Door Height 8'-8"

UniCure
SPRAYBOOTHS

INTERSTATE MARKETING CORPORATION
104 Spence Lane, Nashville, TN 37210
Your Collision Repair Equipment Headquarters
Call Toll Free: 1-800-868-3033 • TN (615) 889-3330
e-mail: uniculture@spraybooths.com • www.spraybooths.com