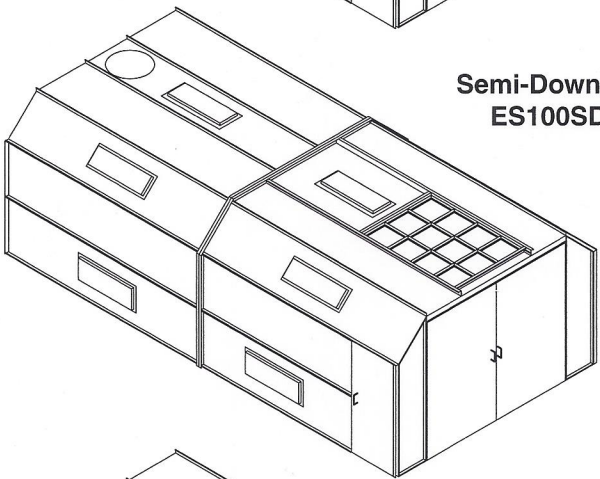
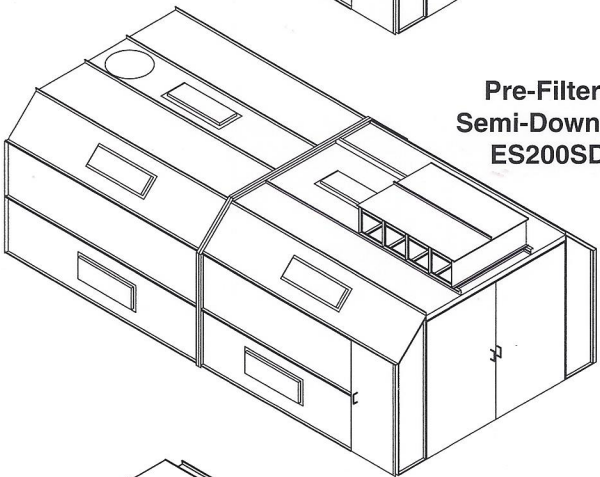


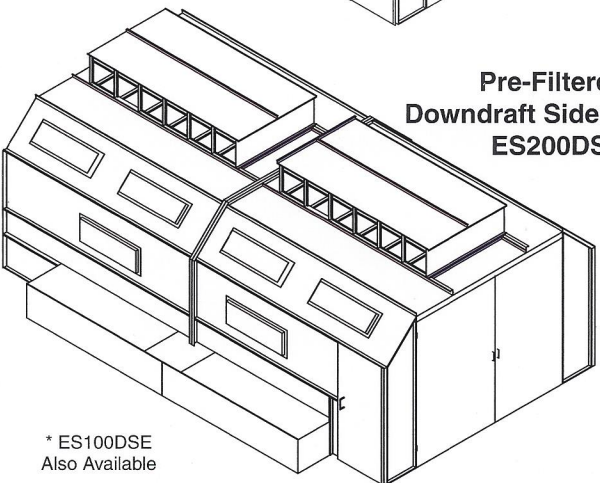
**CROSSDRAFT
ES100CD**



**Semi-Downdraft
ES100SDD**



**Pre-Filtered
Semi-Downdraft
ES200SDD**



**Pre-Filtered*
Downdraft Side-Exhaust
ES200DSE**

* ES100DSE
Also Available

e-Spray

by UniCure

economy made easy!

This UniCure Spraybooth Comes Complete

Galvanized Steel Construction Panels

Detail Plans for Easy Assembly

Toll-Free Installation HELP line

CD & SDD - (10) 48" 4-Tube Light Fixtures with Tubes

DSE - (12) 48" 4-Tube Light Fixtures with Tubes

(1) Set of Intake & Exhaust Filters

Exhaust System:

CD & SDD - (1) 30" Tubeaxial Fan with 3PH Motor

DSE - (2) 24" Tubeaxial Fans with 3PH Motors

Pre-Assembled Exhaust Duct Package

CD & SDD - (1) 30" X 9' Duct Package with Clean Out

DSE - (2) 24" X 9' Duct Package with Clean Out

Automatic Exhaust Air Ventilators

OPTIONAL FEATURES:

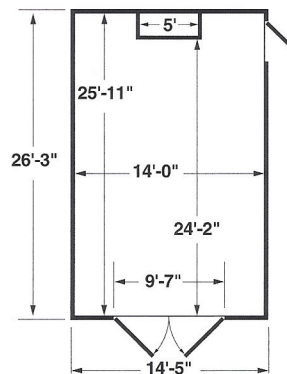
Tri-Fold Doors

Door Windows

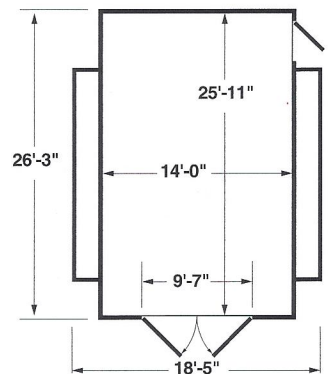
Powder Coating

Installation

CD/SDD Dimensions



DSE Dimensions



ES100CD & ES100SDD

Height 9'-3"

Inside Height 9'-0"

Door Height 8'-8"

ES200DSE

Height 10'-11"

Inside Height 9'-0"

Door Height 8'-8"

UniCure
SPRAYBOOTHS

INTERSTATE MARKETING CORPORATION

104 Spence Lane, Nashville, TN 37210

Your Collision Repair Equipment Headquarters

Call Toll Free: 1-800-868-3033 • TN (615) 889-3330

e-mail: unicure@spraybooths.com • www.spraybooths.com